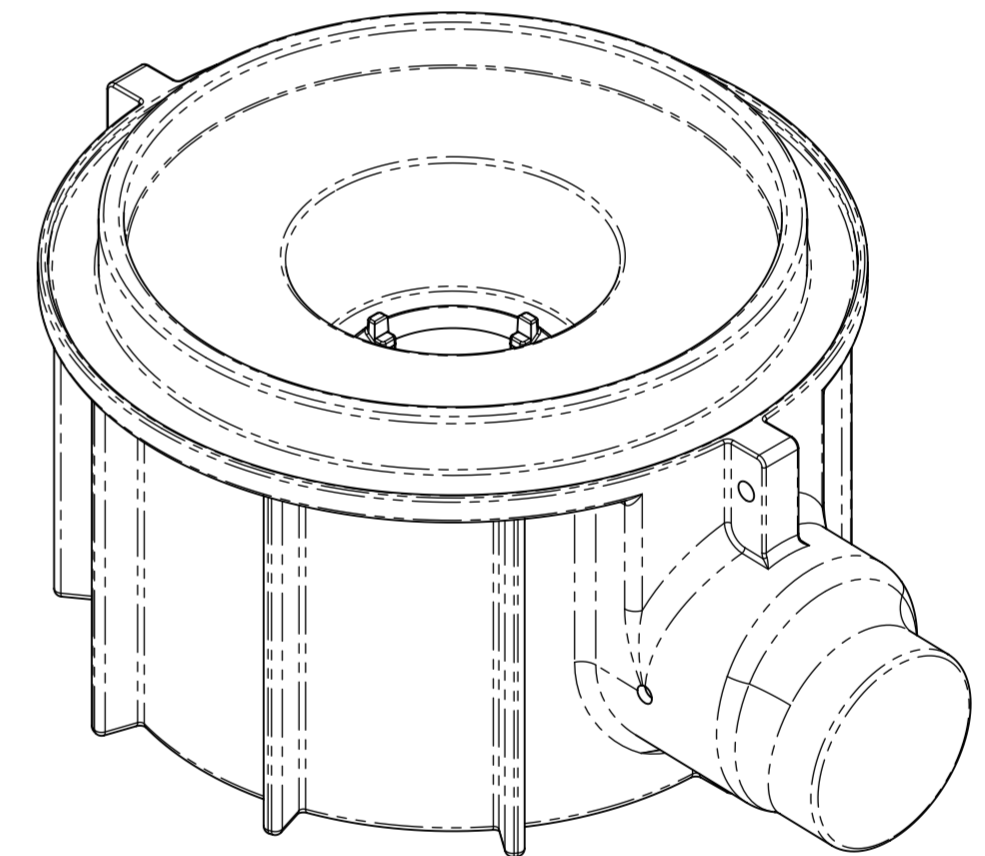
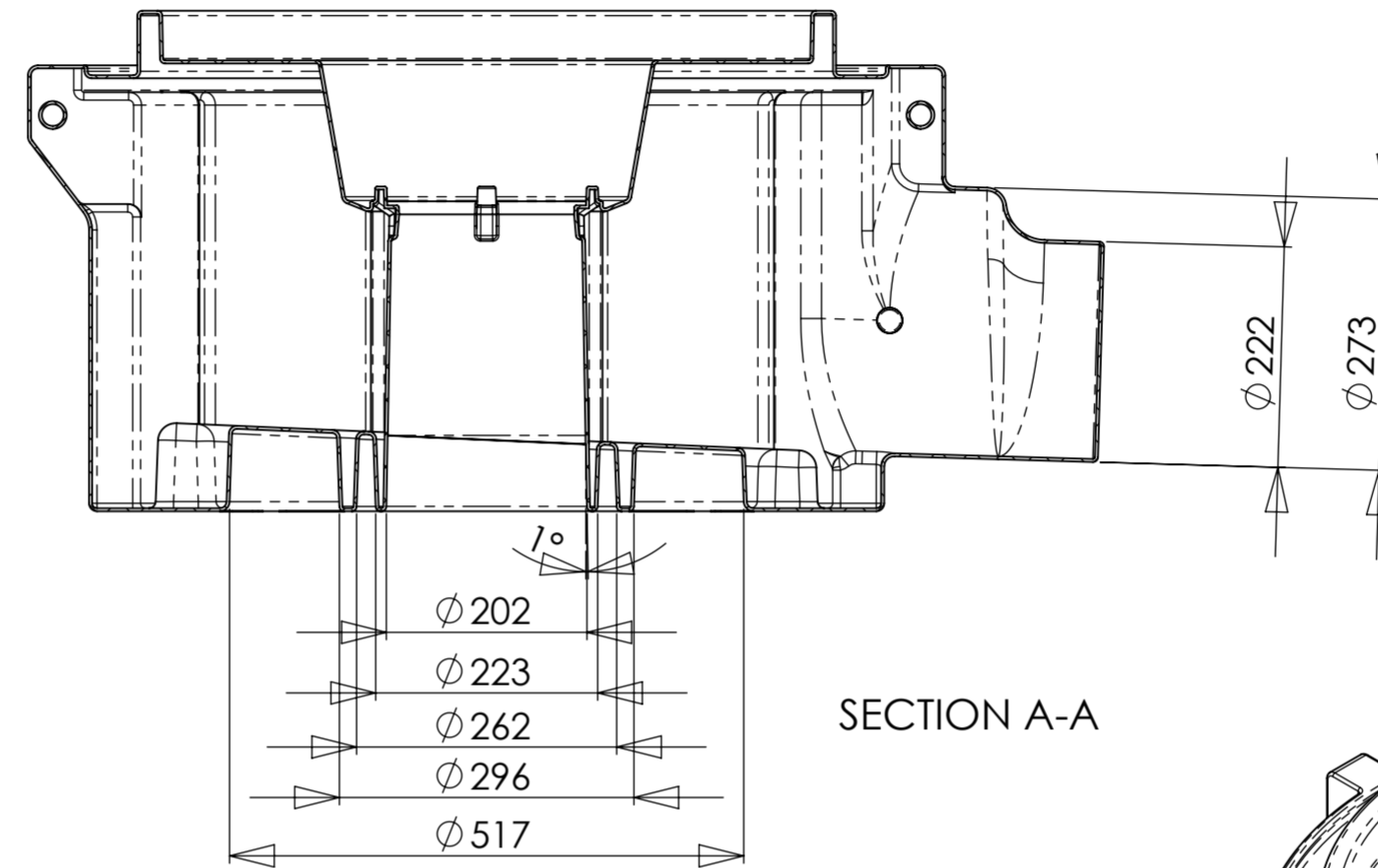
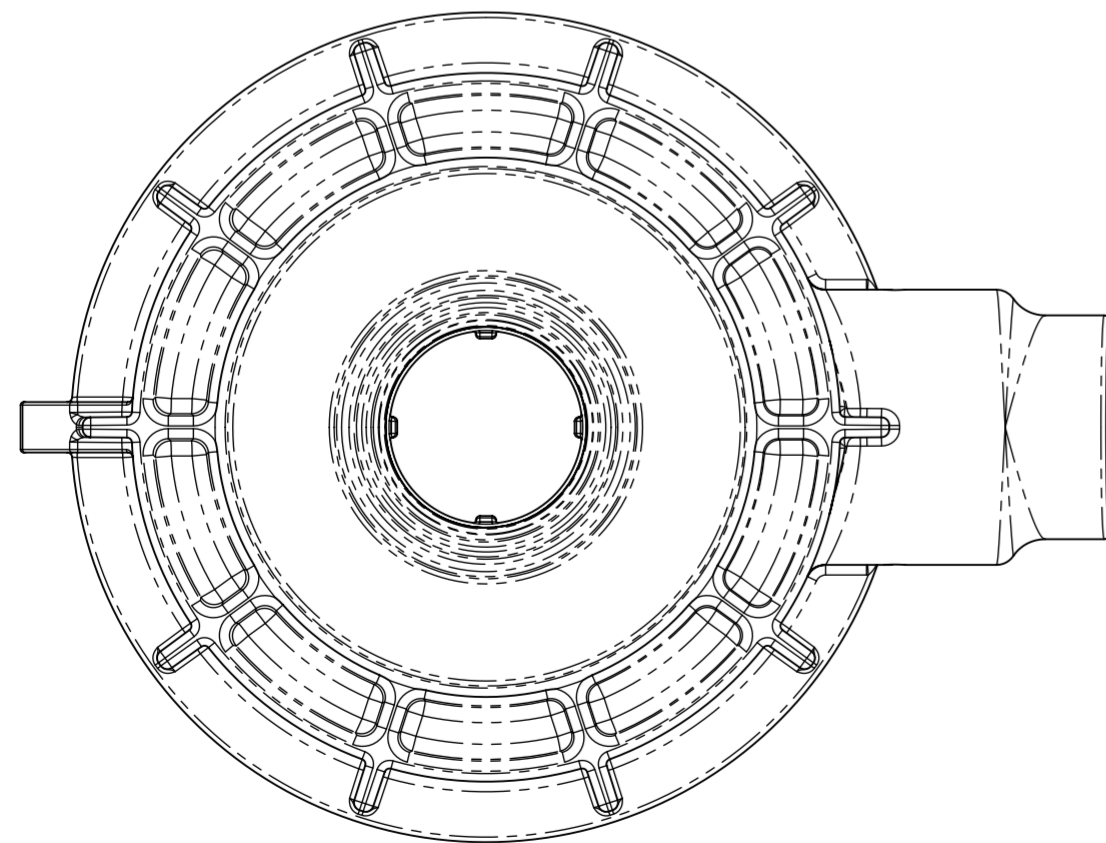
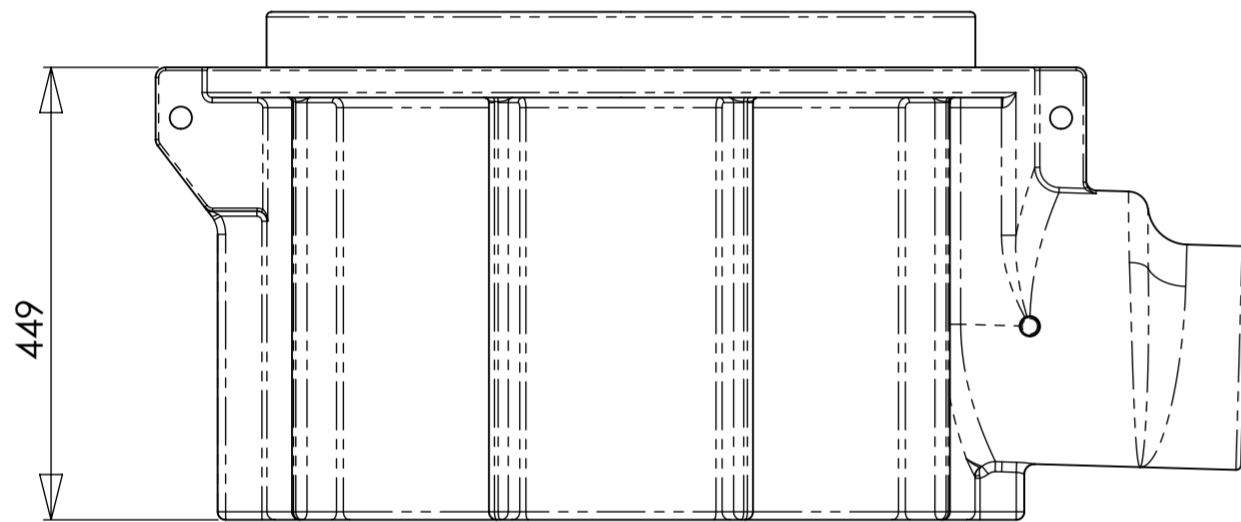
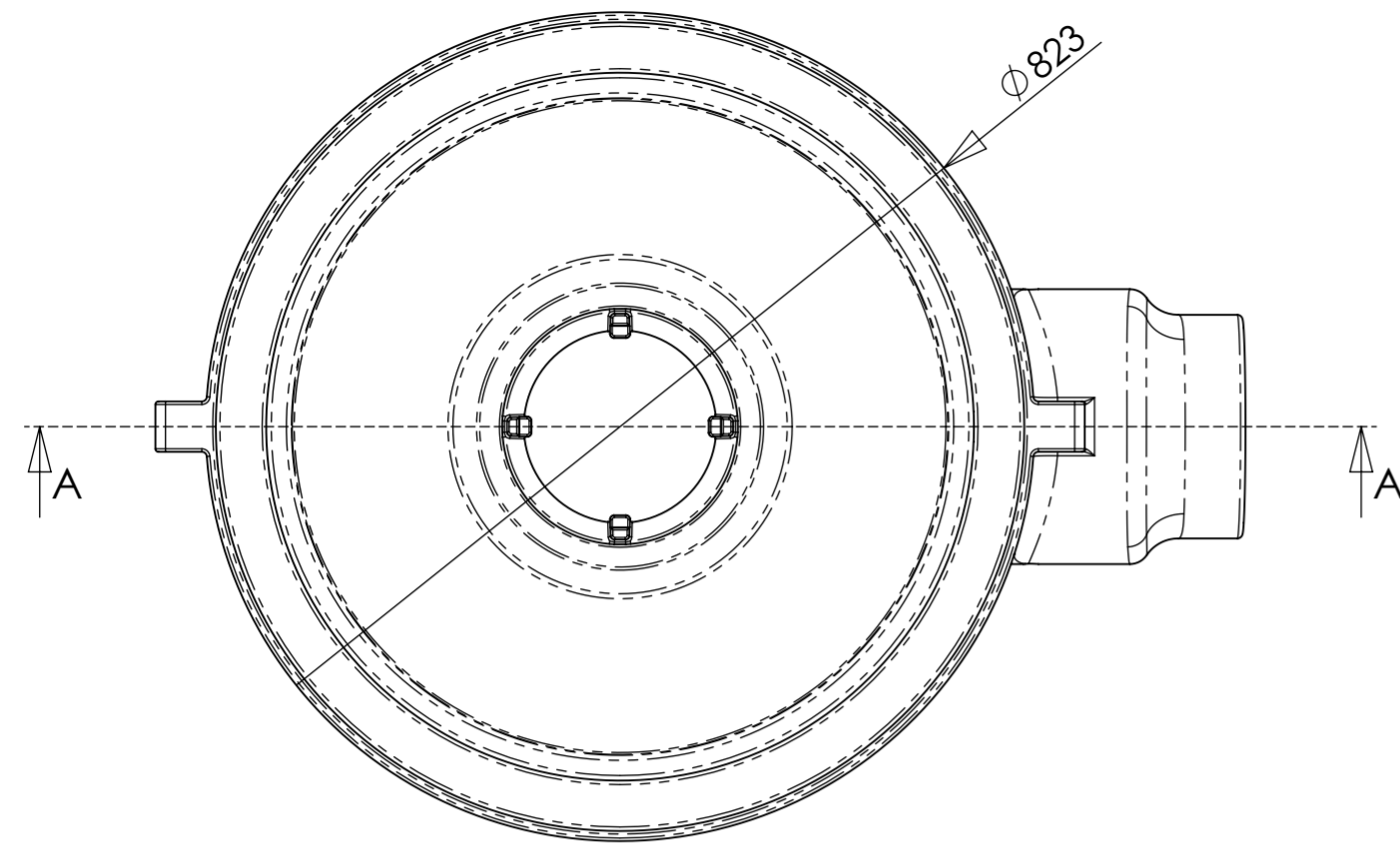


REV.	DESCRIPTION	DATE	APPROVED
B	revised lower outlet geometry	4-11-15	DS



Nominal wall thickness = 10mm (shown @3mm)
 All views showing part AS MOULDED

TOLERANCE ± MM UNLESS SPECIFIED		PART NUMBER: OW06-014-002			
		PROJECT :			
UNLESS OTHERWISE SPECIFIED ALL DIMENSIONS ARE IN MM		APPROVALS		DATE	
<i>CONFIDENTIAL</i>		DRAWN		16/09/2015	
<small>THIS DRAWING AND THE MATERIAL CONTAINED THEREIN ARE THE PROPERTY OF ONE WATER AND SHALL NOT BE REPRODUCED, COPIED OR DISPOSED OF DIRECTLY OR INDIRECTLY AND SHALL NOT BE USED IN WHOLE OR IN PART, IN THE MAKING OF DRAWINGS, PRINTS, APPARATUS OR PARTS THEREOF OR FOR ANY OTHER PURPOSE WHATSOEVER WITHOUT THE PRIOR WRITTEN CONSENT OF ONE WATER. ALL THE MATERIAL CONTAINED HEREIN SHALL REMAIN THE PROPERTY OF ONE WATER.</small>		CHECK		AS	
		MATERIAL :		SIZE	
		FINISH :		DRAWING NUMBER: A2 OW06-014-002 - Installation	
				SCALE : 1:7.5	
				SHEET : 1 OF 1	
				REV B	